

# TOP MULTI-TECH

## Multi-stage automatic submersible pumps

-  Clean water
-  Domestic use
-  Civil use

**AUTOMATIC  
START & STOP**



### PERFORMANCE RANGE

- Flow rate up to **120 l/min** (7.2 m<sup>3</sup>/h)
- Head up to **42 m**
- Restart pressure: **1.5 bar**

### APPLICATION LIMITS

- **5 m** maximum immersion depth
- Maximum height between pump and point of use **10 m**
- Maximum liquid temperature **+40 °C**
- Suction down to **22 mm** above ground level
- Continuous service **S1**

### CONSTRUCTION AND SAFETY STANDARDS

Complete with:

- **10 m** long power cable
- internal electronic device for pump starting (when tap opened) and stopping (when tap closed)
- threaded connector 1¼" (delivery)
- hose connector Ø 35 mm

EN 60335-1  
IEC 60335-1  
CEI 61-150

EN 60034-1  
IEC 60034-1  
CEI 2-3



### CERTIFICATIONS

Company with management system certified DNV  
ISO 9001: QUALITY  
ISO 14001: ENVIRONMENT



### INSTALLATION AND USE

**TOP-MULTI-TECH** pumps are recommended for pumping **clean water** and liquids that are not chemically aggressive for the materials from which the pump is made.

Because of their high efficiency and reliability they are suitable for use in applications such as domestic water supply from reservoirs, tanks or relatively deep wells, for drawing rain water from cisterns to water gardens or for use in irrigation systems, etc.

**An internal electronic device starts or stops the pump automatically when the tap is opened or closed.**

### PATENTS - TRADE MARKS - MODELS

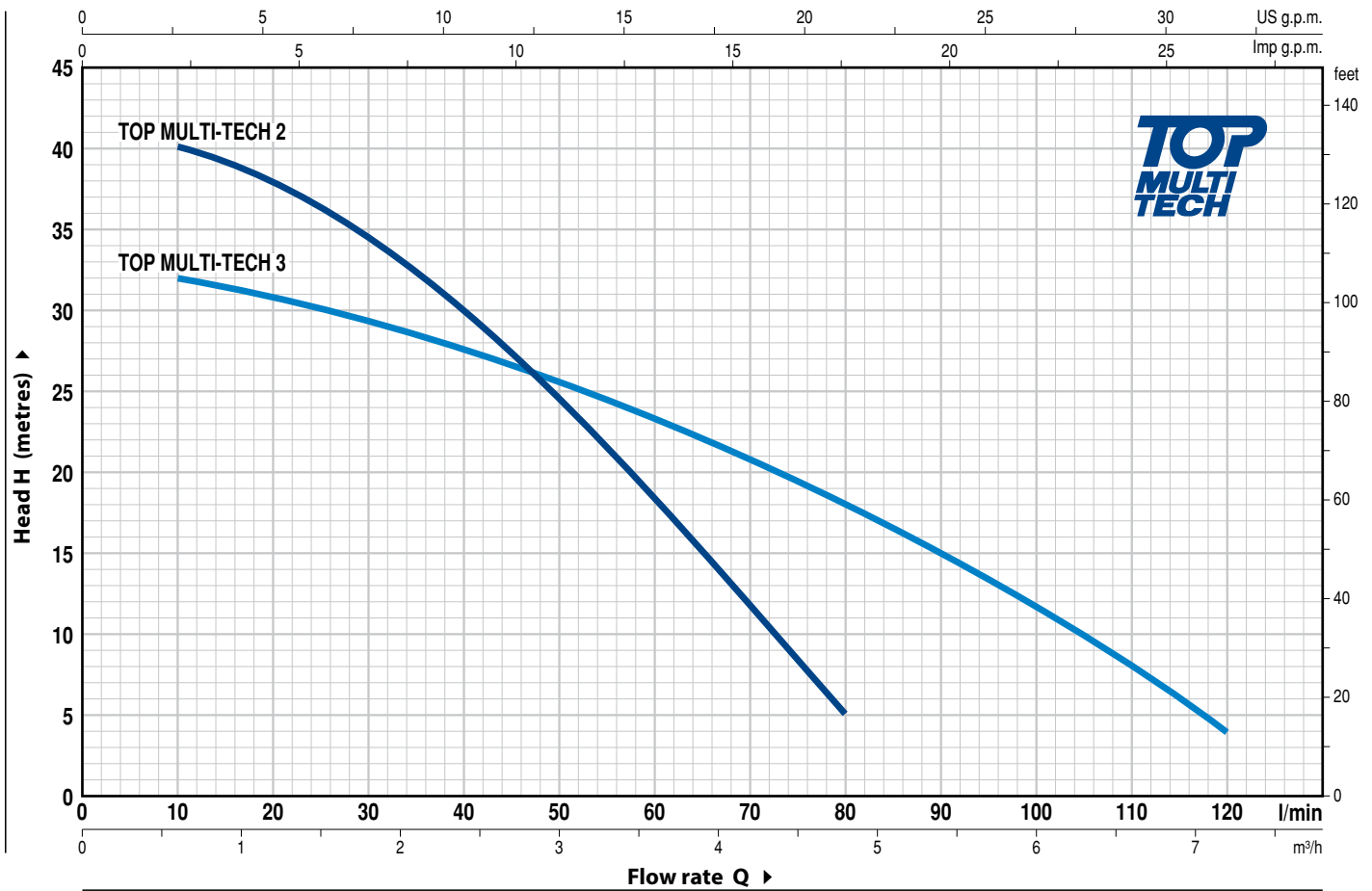
- Patent n° EP2990653
- Registered Trade Mark n. 0001334477 TOP MULTI®

### OPTIONS AVAILABLE ON REQUEST

- Other voltages or 60 Hz frequency

### CHARACTERISTIC CURVES AND PERFORMANCE DATA

50 Hz n= 2900 rpm



MODEL Single-phase	POWER (P <sub>2</sub> )		Q	0	0.6	1.2	1.8	2.4	3.0	3.6	4.2	4.8	5.4	6.0	6.6	7.2
	kW	HP		0	10	20	30	40	50	60	70	80	90	100	110	120
TOP MULTI-TECH 2	0.55	0.75	H metres	42	40	38	34	30	24	18	11.5	5				
TOP MULTI-TECH 3	0.55	0.75		33	32	31	29.5	28	25.5	23	20.5	18	15	12	8	4

Q = Flow rate H = Total manometric head

Tolerance of characteristic curves in compliance with EN ISO 9906 Grade 3B.

# TOP MULTI-TECH

POS.	COMPONENT	CONSTRUCTION CHARACTERISTICS
1	DELIVERY BODY	Glass fibre reinforced technopolymer
2	PUMP BODY E SUCTION FILTER	Glass fibre reinforced technopolymer
3	MOTOR SLEEVE	Stainless steel AISI 304
4	IMPELLERS	Noryl FE1520PW
5	DIFFUSERS	Noryl complete with anti-wear ring
6	MOTOR SHAFT	Stainless steel EN 10088-3 - 1.4104
7	ELECTRONIC DEVICE	<p><b>TOP MULTI-TECH pumps are fitted with an internal electronic device which starts the pump when the pressure of the system falls below 1.5 bar (eg. when opening a tap) and stops it when the flow falls below 3 litre per minute.</b></p> <p><b>It protects the pump:</b></p> <ul style="list-style-type: none"> <li>– against dry running;</li> <li>– against blockage: after long periods of pump inactivity the electronic device starts the pump every 48 hours for 10 seconds.</li> </ul>

## 8 TWO MECHANICAL SEALS SEPARATED BY AN OIL CHAMBER

Seal Model	Shaft Diameter	Position	Stationary ring	Rotational ring	Elastomer
STA-13R	Ø 13 mm	Motor side	Ceramic	Graphite	NBR
STA-12R SG	Ø 12 mm	Pump side	Silicon carbide	Graphite	NBR

## 9 BEARINGS 6202 ZZ - C3 / 6201 ZZ

## 10 CAPACITOR

Capacitance (230 V or 240 V)	(110 V)
12.5 µF 450 VL	25 µF - 250 VL

## 11 ELECTRIC MOTOR

**TOP MULTI-TECH:** single-phase 230 V - 50 Hz with thermal overload protector incorporated into the winding.

- Insulation: class F
- Protection: IP X8

## 12 POWER CABLE

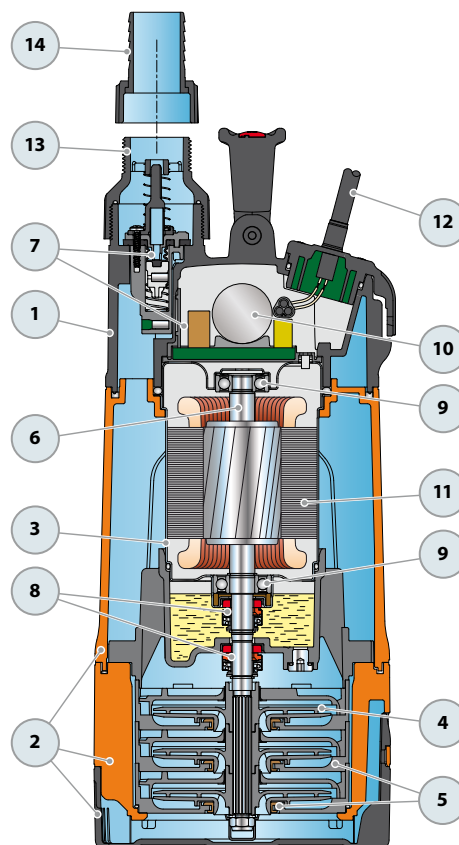
**"H07 RN-F" with Schuko plug**  
**Standard length 10 metres**

## 13 THREADED CONNECTOR

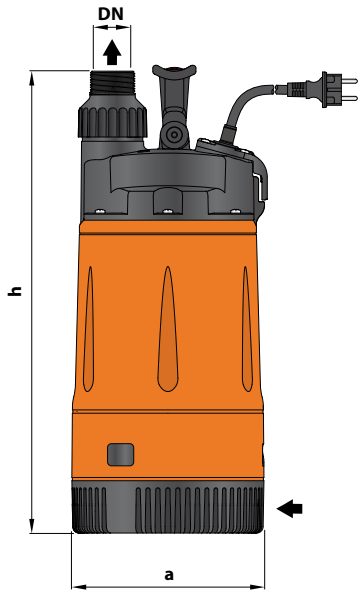
Threaded connector 1¼"

## 14 HOSE CONNECTOR WITH RING NUT

Ø 35 mm hose connection



## DIMENSIONS AND WEIGHT



### Standard installation



MODEL	PORT	N. STAGES	DIMENSIONS mm		kg
			a	h	
Single-phase	DN				
TOP MULTI-TECH 2	1 1/4"	3	178	428	9.5
TOP MULTI-TECH 3					

## ABSORPTION

MODEL	VOLTAGE	
	Single-phase	230 V
TOP MULTI-TECH 2	3.4 A	6.8 A
TOP MULTI-TECH 3	3.6 A	7.2 A

## PALLETIZATION

MODEL	GROUPAGE	CONTAINER
	n. pumps	n. pumps
TOP MULTI-TECH 2	60	80
TOP MULTI-TECH 3	60	80

